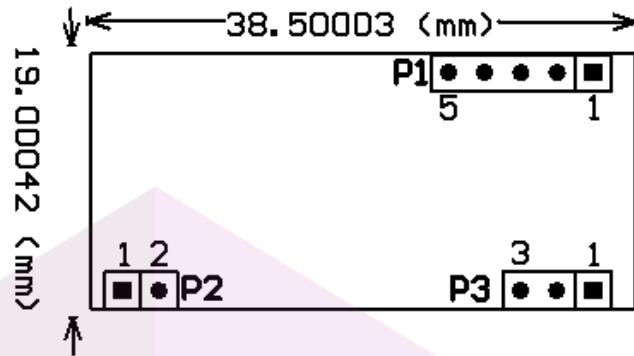
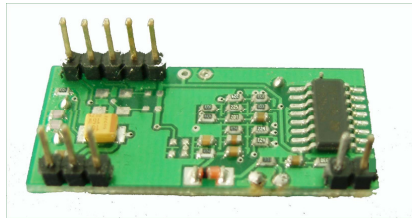


# RDM630 Specification



## 1. Pin Definition (WEIGAND):

P1:

PIN1	DATA0
PIN2	DATA1
PIN3	
PIN4	GND
PIN5	+5V(DC)

P2:

PIN1	ANT1
PIN2	ANT2

P3:

PIN1	LED
PIN2	+5V(DC)
PIN3	GND

## 2. Pin definition (TTL interface RS232 data format):

P1:

PIN1	TX
PIN2	RX
PIN3	
PIN4	GND
PIN5	+5V(DC)

P2:

PIN1	ANT1
PIN2	ANT2

P3:

PIN1	LED
PIN2	+5V(DC)
PIN3	GND

## Specification and Parameter:

Frequency	125KHz
Baud Rate	9600 (TTL Electricity Level RS232 format)
interface	Weigang26 Or TTL Electricity Level RS232 format
Power supply	DC 5V ( $\pm 5\%$ )
Current	< 50Ma
Operating range	> 50mm (Depend on Card/Tag shape, manufacturer)
Expand I/O port	N/A
Indication light	N/A
Working temperature	-10°C ~ +70°C
Storage temperature	-20°C ~ +80°C
Max. humidity	Relative humidity 0 ~ 95%
Size	38.5mm × 19mm × 9mm

## Wiegand Format 26bit output data format

Read only ID as 4 byte, form as below:-

:

D37	D36	D35	D34	D33	D32	D31	D30
D27	D26	D25	D24	D23	D22	D21	D20
D17	D16	D15	D14	D13	D12	D11	D10
D07	D06	D05	D04	D03	D02	D01	D00

Wiegand Format 26 bits format form by 26 bits data which including 24 bit user data and 2 bit parity bit. As far as module concerned, former 12bit of 24 bit data is even & the behind 12bits is odd.

24 bit data correspond to 32 bit is read only 24bit which behind ID, I.E. D27-D20, D17-D10, D07-D00,

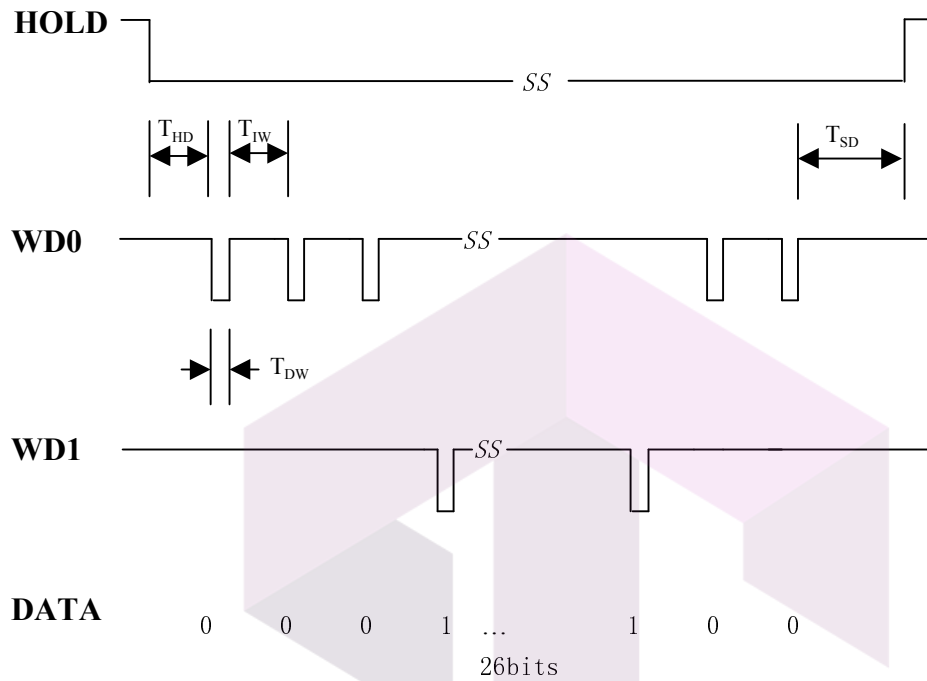
Output data format as chart below:

位	0	1	2	3	4	5	6	7	8	9	10	11	12	13	14	15	16	17	18	19	20	21	22	23	24	25	
	PE	D	D	D	D	D	D	D	D	D	D	D	D	D	D	D	D	D	D	D	D	D	D	D	D	D	PO
		E	E	E	E	E	E	E	E	E	E	E	E	O	O	O	O	O	O	O	O	O	O	O	O	O	
		D	D	D	D	D	D	D	D	D	D	D	D	D	D	D	D	D	D	D	D	D	D	D	D	D	
		2	2	2	2	2	2	2	2	1	1	1	1	1	1	1	1	0	0	0	0	0	0	0	0	0	
		7	6	5	4	3	2	1	0	7	6	5	4	3	2	1	0	7	6	5	4	3	2	1	0		

Thereinto :

- ● PE is even bit, PO is odd bit;
- ● E is the data bit which was involved in even, O is the data bit which was involved in odd;
- ● DXX is the data bit which correspond to Mifare@ Standard & Light card read only ID;
- ● Wiegand Format 26bit output time sequence:

تهیه و توزیع قطعات الکترونیک



Symbol	Specification	Representative value
$T_{HD}$	Send data to active time extension	2ms
$T_{SD}$	Send data to finish time extension	2ms
$T_{DW}$	Data impulse width	80 $\mu$ s
$T_{IW}$	Data impulse interval width	1ms

### Reading Type:

Standard design -- card can't be read again within the range of read antenna after read once. User must move it out of reading antenna range first, swipe card again & can be read.

Special design -- card can be read continuously within the range of read antenna.

تهیه و توزیع قطعات الکترونیک

# TTL Interface RS232 Data output format

1. 9600bps,N,8,1
2. CHECKSUM: card 10byte DATA entire do XOR operation

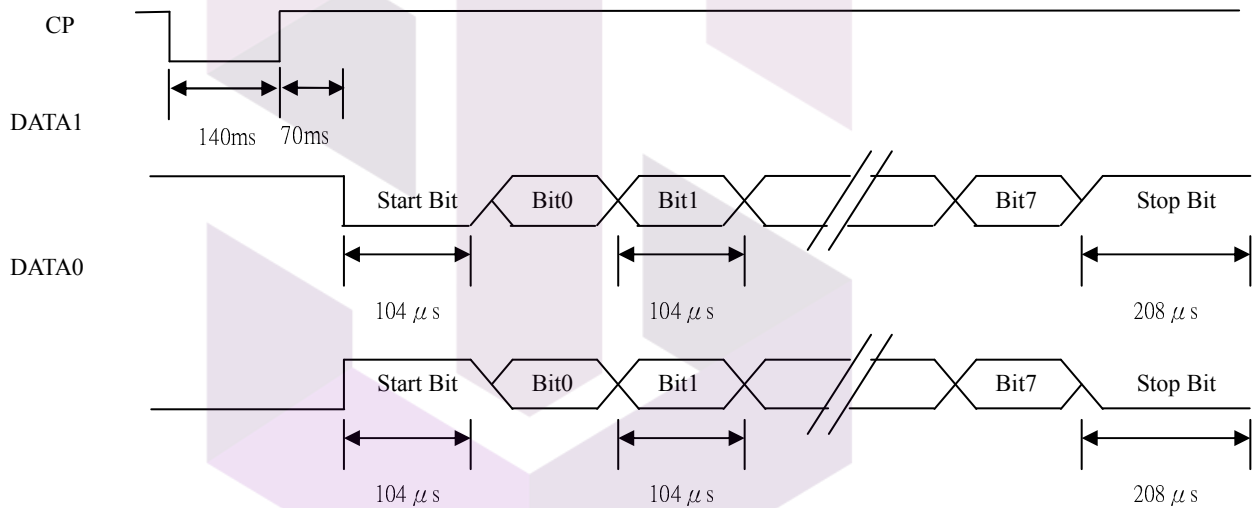
02	10ASCII Data Characters	Checksum	03
----	-------------------------	----------	----

Example: card number: 62E3086CED

Output data:36H、 32H、 45H、 33H、 30H、 38H、 36H、 43H、 45H、 44H

CHECKSUM: (62H) XOR (E3H) XOR (08H) XOR (6CH) XOR (EDH)=08H

## 2. Time sequence chart



# SKYTECH

تهیه و توزیع قطعات الکترونیک